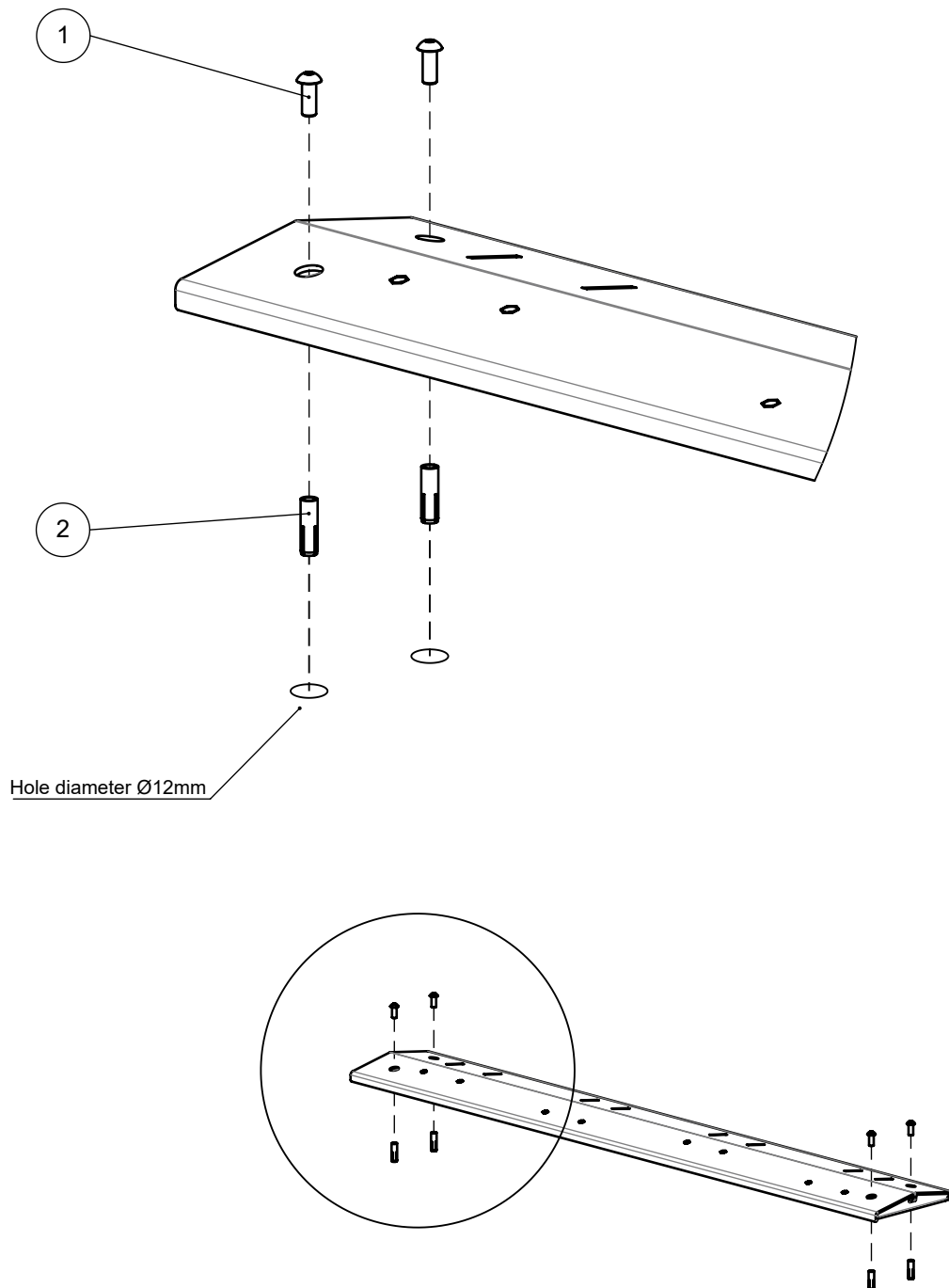


Mounting instructions - Kran

Directly on the ground



© Copyright VelopA B.V.
www.velopa.com
MAL



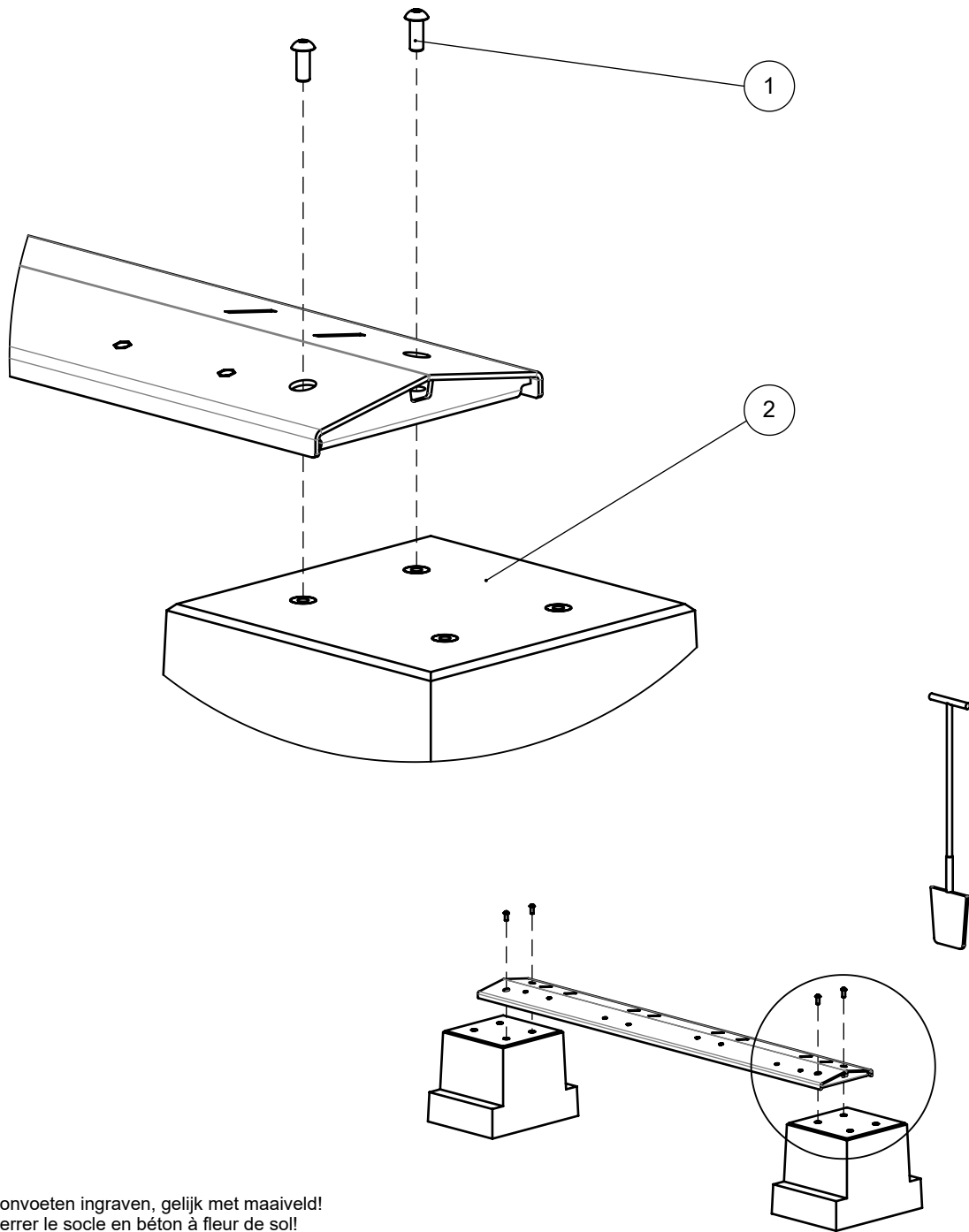
Pos. no.	Qty.	Art.no.	Remark	Name
1	4	54930015	ISO7380 - M10x25	Socket button head
2	4	54991050	M10x40	M10 hammer set anchor

Mounting instructions - Kran

Concrete feet



© Copyright VelopA B.V.
www.velopa.com
MAL



Betonvoeten ingraven, gelijk met maaiveld!
Enterrer le socle en béton à fleur de sol!
Betonfundamente eingraben, Oberseite bündig mit OKG!
Entrench concrete feet, level with ground surface!

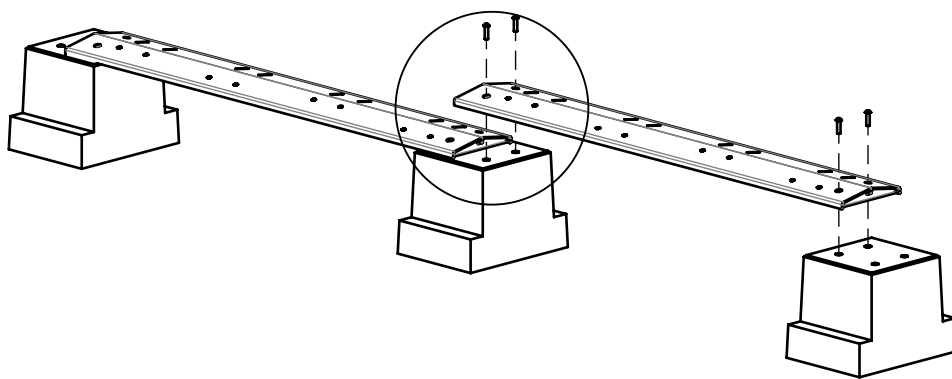
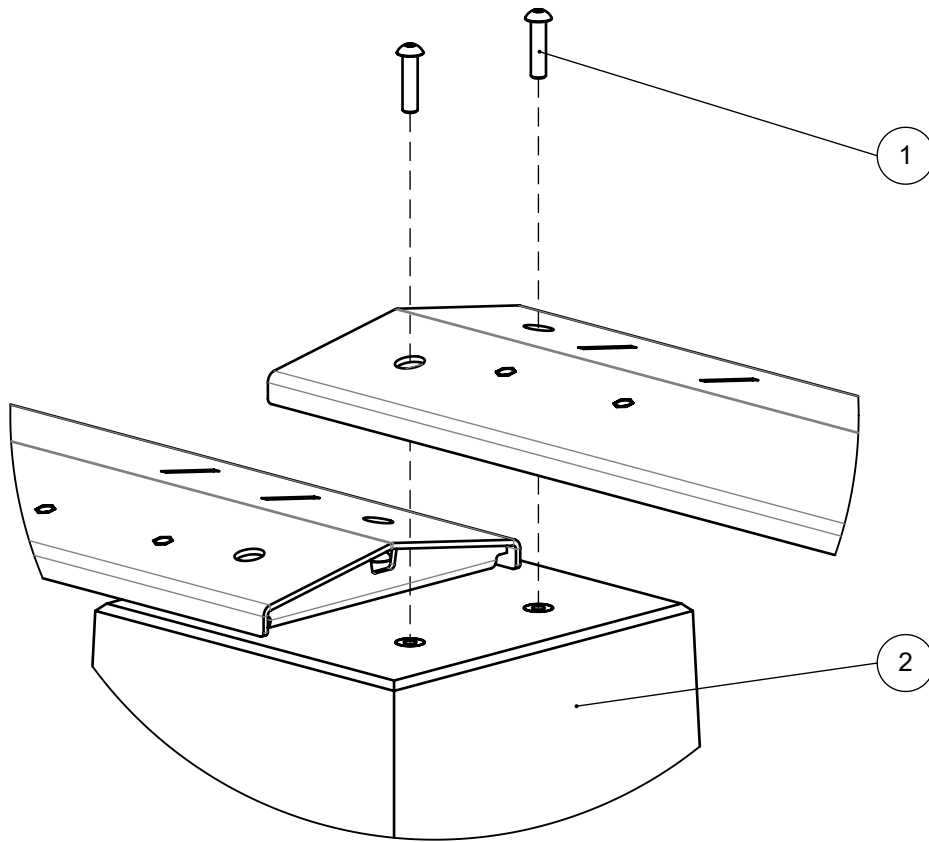
Pos. no.	Qty.	Art.no.	Remark	English
1	4	54930015	ISO7380 - M10x25	Socket button head
2	2	29500200	4 thread bushes M10x60	Concrete foot with 4 M10-tube inserts

Mounting instructions - Kran

Extending



© Copyright VelopA B.V.
www.velopa.com
MAL



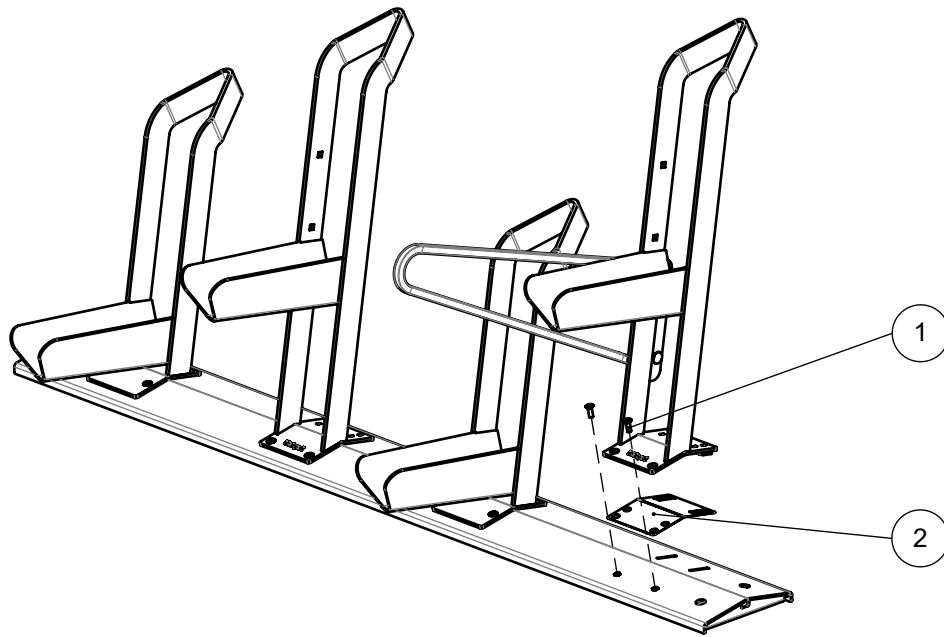
Pos. no.	Qty.	Art.no.	Remark	English
1	4	54930015	ISO7380 - M10x25	Socket button head
2	2	29500200	4 thread bushes M10x60	Concrete foot with 4 M10-tube inserts

Mounting instructions - Kran

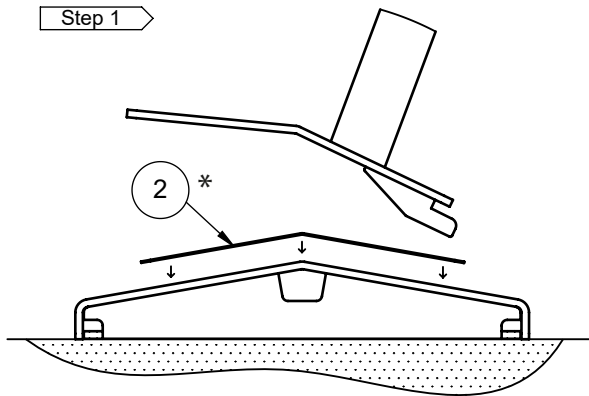
Mounting on traverse



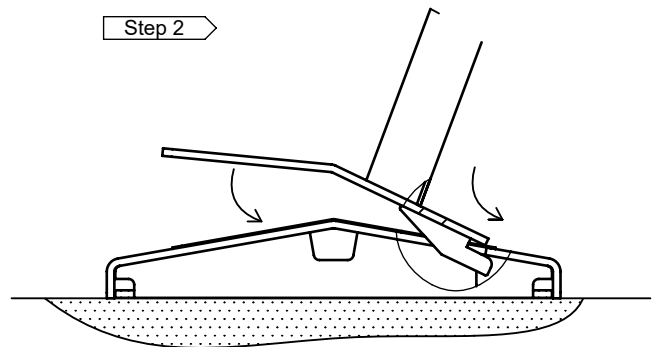
© Copyright VelopA B.V.
www.velopa.com
MAL



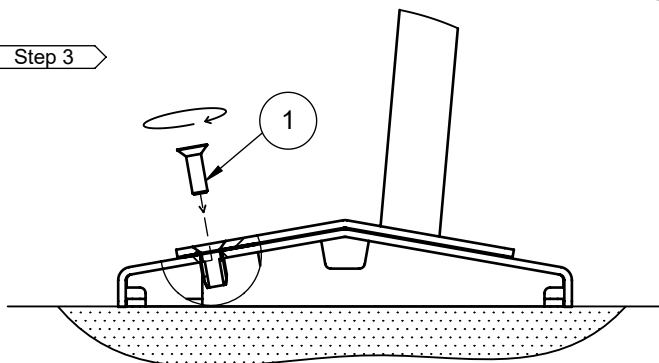
Step 1



Step 2



Step 3



*PP sheet only in combination with galvanized finish

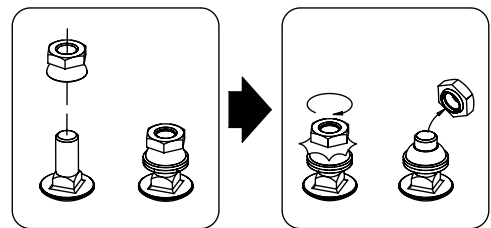
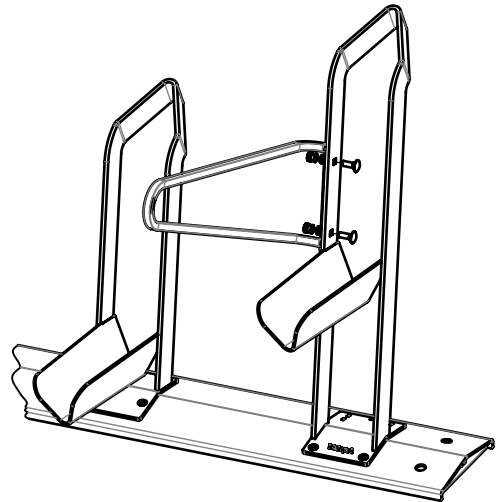
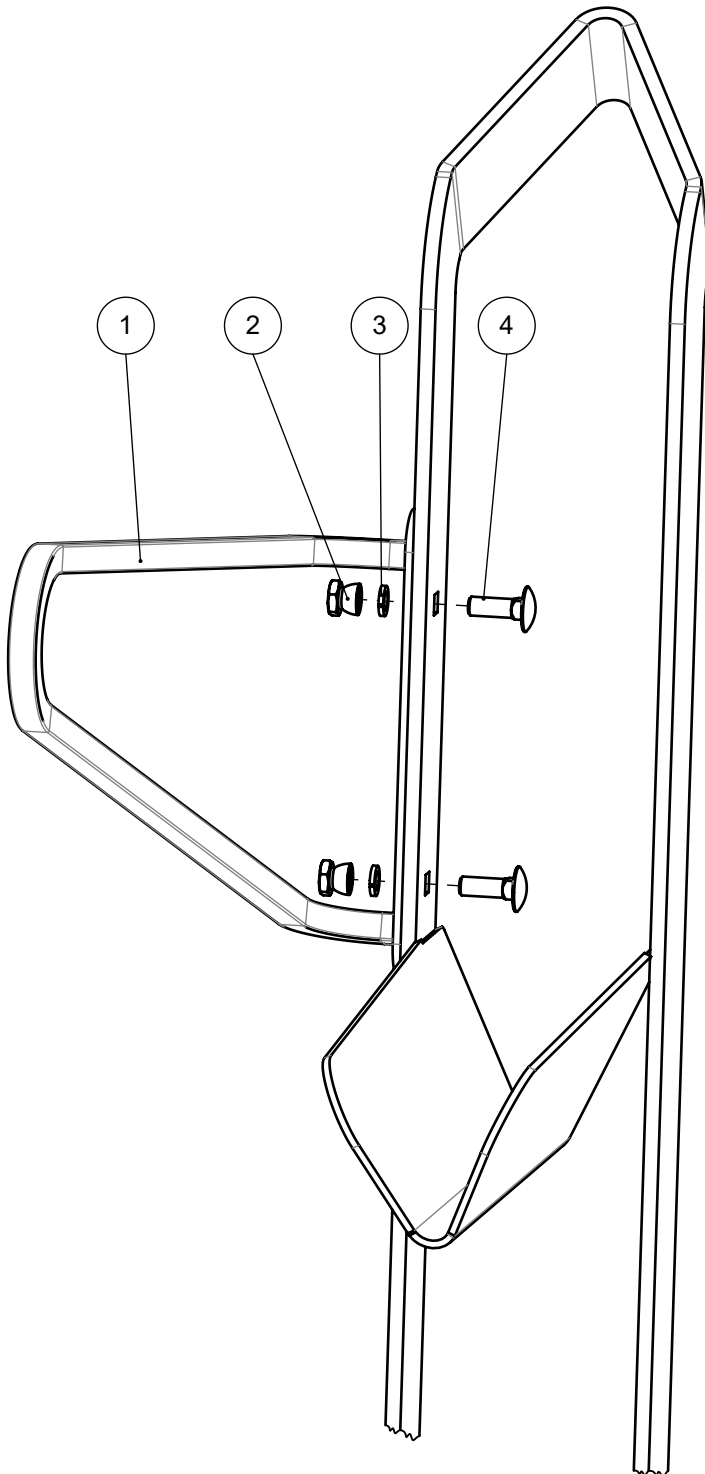
Pos. no.	Qty.	Art.no.	Remark	English
1	x	bestaat nog niet	DIN7991 - M8x25	Verz. schroef TX-pin M8x25 A2
2	x	53130000	-	Korsa - PP sheet

Mounting instructions - Kran

Extra Connection Facility



© Copyright VelopA B.V.
www.velopa.com
MAL



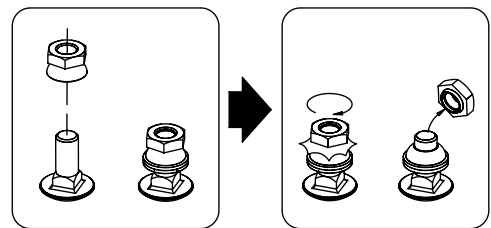
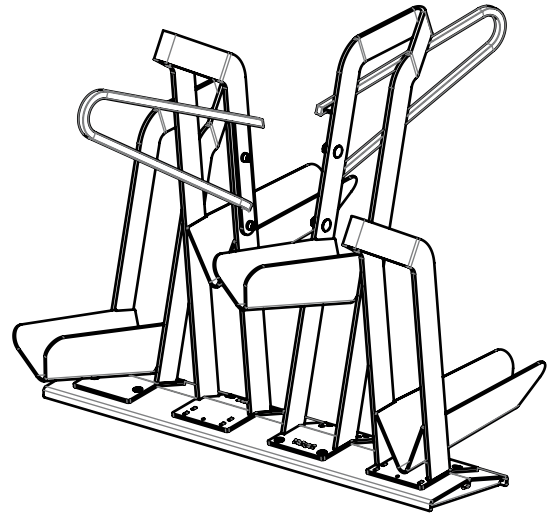
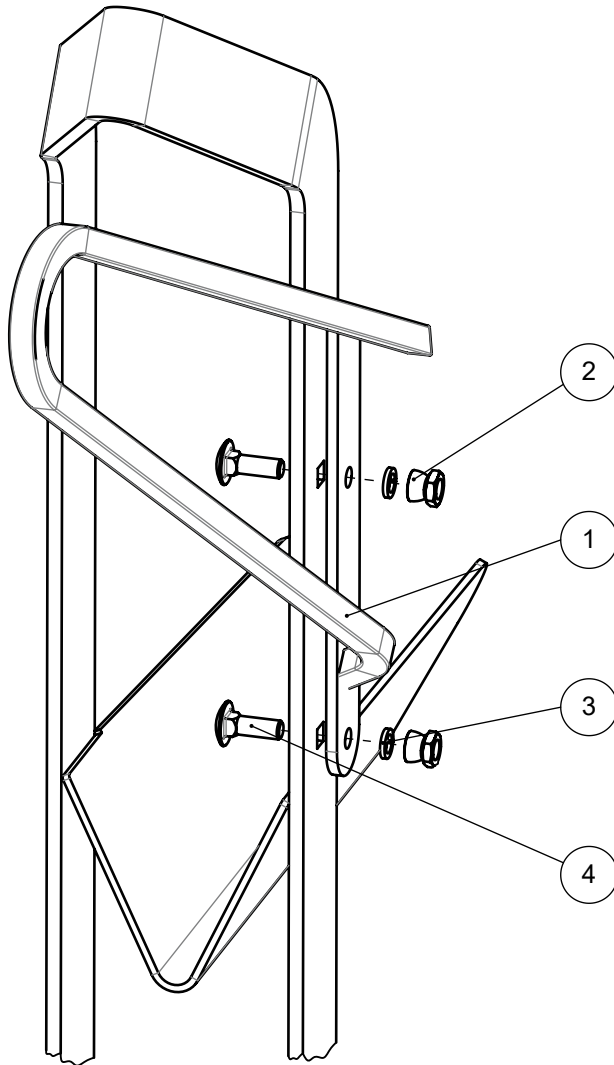
Pos. no.	Qty.	Art.no.	Remark	English
1	1	31302200, 31302205, 31302206	-	Line - ECF weldment
2	2	54920510	M10 SW17- A2	Shear nut (SS)
3	2	54940070	DIN 127B - M10 - A2	spring lock washer (SS)
4	2	54921270	DIN 603 - M10x30	Square necked bolt (SS)

Mounting instructions - Kran

Extra Connection Facility - Double sided



© Copyright VelopA B.V.
www.velopa.com
MAL



Pos. no.	Qty.	Art.no.	Remark	English
1	1	31303020, 31303025, 31303026	-	Kran - DS ECF weldment
2	2	54920510	M10 SW17- A2	Shear nut (SS)
3	2	54940070	DIN 127B - M10 - A2	spring lock washer (SS)
4	2	54921270	DIN 603 - M10x30	Square necked bolt (SS)